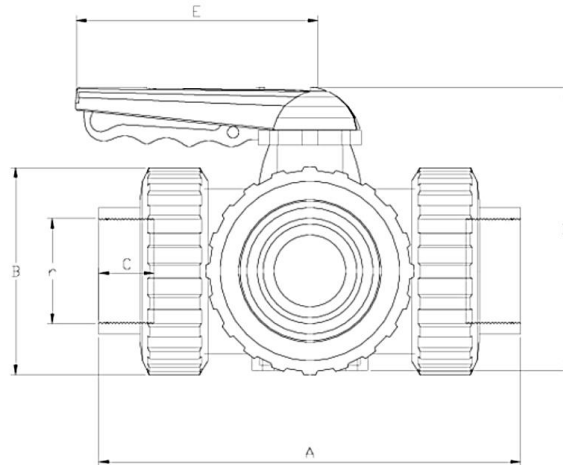




Everyvalve Ltd



| | | | |
|------------------------|--|--------------------------|--------------------------|
| Page 10 | 2021 | Telephone : 01707-642018 | Data sheet |
| www.everyvalve.com | 3-Way Ball Valve Threaded Or Socket Female Outlet | | Sales@everyvalve.com |

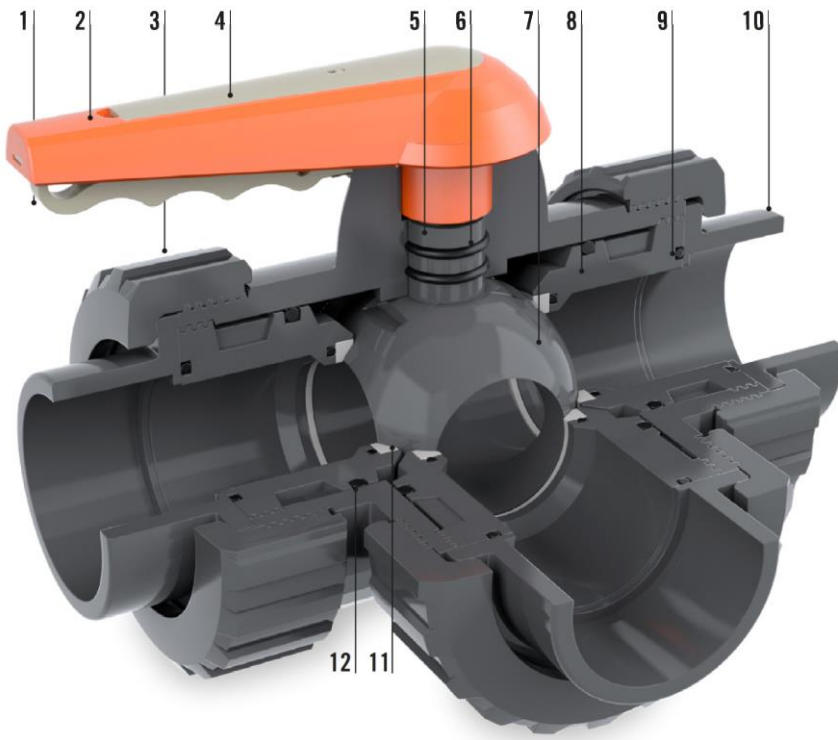


| Size | PTFE (g) | DN | Port | A | B | C | D | E | PN | Threaded |
|--------|----------|----|------|-----|-----|----|-----|-----|------|----------|
| 1" | 736 | 25 | L | 162 | 72 | 23 | 121 | 114 | PN16 | BSP |
| 1 1/2" | 1731 | 40 | L | 210 | 103 | 33 | 155 | 140 | PN16 | BSP |
| 2" | 2618 | 50 | L | 261 | 120 | 29 | 172 | 140 | PN16 | BSP |
| 2 1/2" | 5113 | 65 | L | 322 | 150 | 33 | 218 | 160 | PN10 | BSP |
| 1" | 732 | 25 | T | 162 | 72 | 23 | 121 | 114 | PN16 | BSP |
| 1 1/2" | 1721 | 40 | T | 210 | 103 | 33 | 155 | 140 | PN16 | BSP |
| 2" | 2600 | 50 | T | 261 | 120 | 29 | 172 | 140 | PN16 | BSP |
| 2 1/2" | 5073 | 65 | T | 322 | 150 | 33 | 218 | 160 | PN10 | BSP |

PLEASE NOTE : Prices subject to change without prior notice

Everyvalve Ltd | 19 STATION CLOSE | POTTERS BAR | HERTS | EN6 1TL | TEL : 0044(0)1707642018 | FAX : 0044(0)1707646340 |
http://www.everyvalve.com | sales@everyvalve.com

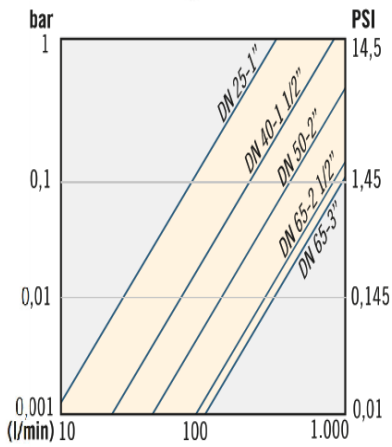
MANUFACTURER AND SUPPLIERS TO COMMERCIAL INDUSTRIES.



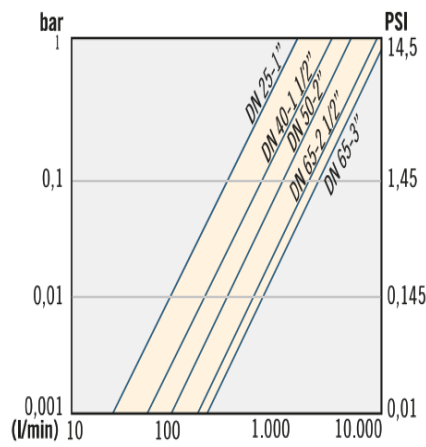
1. PA trigger
2. GFPP handle
3. PVC-U nut
4. PA cap handle
5. PVC-U piston rod
6. EPDM or VITON o-ring
7. PVC-U ball (L option)
8. PVC-U port teflon
9. EPDM or VITON o-ring
10. PVC-U outlet
11. PTFE ball seal
12. EPDM or VITON ball seal holder

LOAD LOSS CURVES

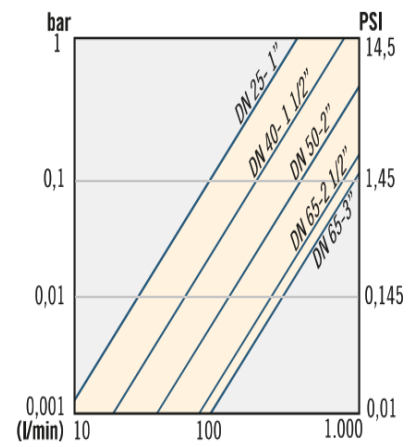
"L" MODEL









"T" MODEL



"T" MODEL



| | | | | | |
|---|---|---|--|---|---|
|  |  |  |  |  |  |
| PLEASE NOTE : Prices subject to change without prior notice | | | | | |
| Everyvalve Ltd 19 STATION CLOSE POTTERS BAR HERTS EN6 1TL TEL : 0044(0)1707642018 FAX : 0044(0)1707646340 http://www.everyvalve.com sales@everyvalve.com | | | | | |
| MANUFACTURER AND SUPPLIERS TO COMMERCIAL INDUSTRIES. | | | | | |