

**Description:**

Compact and lightweight electric actuator fitted to 2 way Flanged stainless steel ball valves suitable for standard process applications. The actuators fit directly onto the valve thus saving on space and cost, as no mounting kit is required.

The HQ series electric actuators are available in a wide range of voltages and control options to suit your specific requirements.

High quality electrical components and alloy gearing ensure reliability and extended life span.

The ball valves are of 2 piece design and fitted with RPTFE seat. They are Full Bore and have PN16 Flanged ends.

**Standard Actuator Specification:**

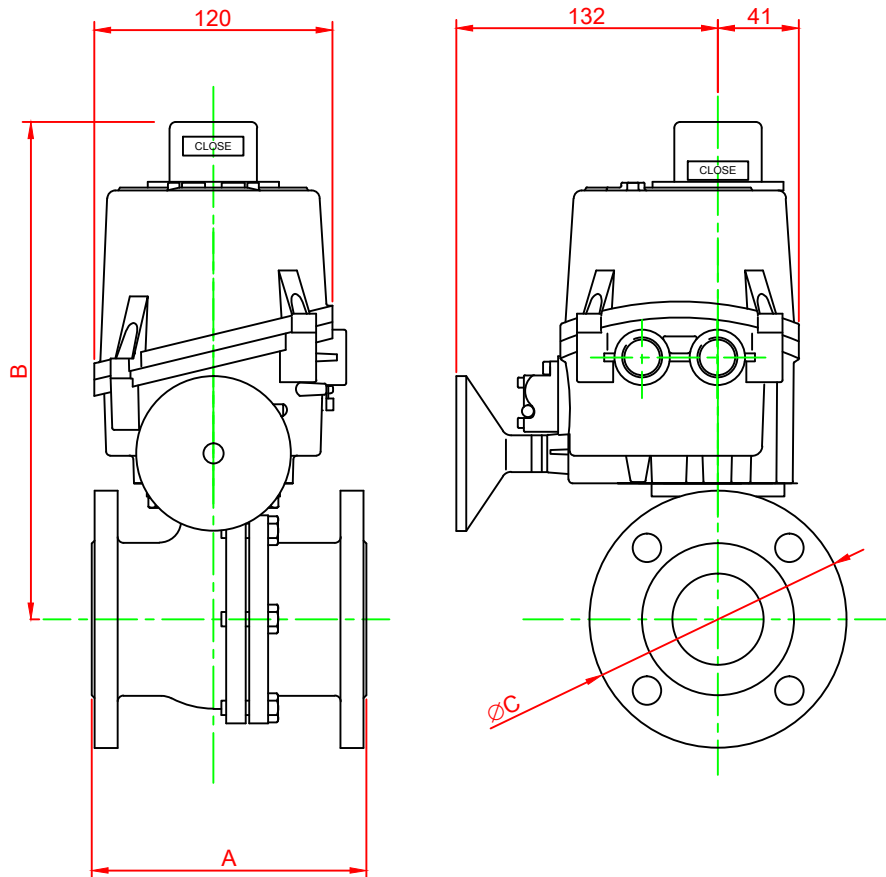
Enclosure	:	Weatherproof IP67
Power Supply	:	85/265v 50/60Hz, 24vAC/DC
Operating Time (50/60Hz)	:	13 Seconds
Limit Switches	:	4 x SPDT, 250V AC 10A
Anti Condensation Board	:	2W
Manual Override	:	Handwheel
Rated Current (Amps)	:	24VAC/DC - 0.8A 110VAC - 0.1A 240VAC - 0.05A
Conduit Entries	:	2 x M20
Ambient Temperature	:	-20°C to +80°C
External Surface	:	Hard anodised prior to Polyester paint finish

**Standard Valve Specification:**

Body	:	316 Stainless steel
Seat	:	RPTFE
Stem Seal	:	PTFE
Pressure Rating	:	Maximum 40 bar
Temperature	:	-25°C to +200°C
Ends	:	Flanged Connection-DIN 2501/BS4504

**Options:**

- Pneumatic Actuators
- Carbon Steel Valve Material
- Modulating Control
- Screw Ended Valves
- Larger valves
- Manual operation



Dimensions					Weight
VALVE	ACTUATOR	A	B	C	Kg
1/2" (15MM)	HQ-005	115	230	95	6
3/4" (20MM)	HQ-005	120	235	105	6.5
1" (25MM)	HQ-005	125	241	115	7
1 1/4" (32MM)	HQ-005	130	253	140	8
1 1/2" (40MM)	HQ-005	140	258	150	9
2" (50MM)	HQ-005	150	267	165	12

DATA SHEET No.

5.11.1

ISSUE DATE

SEPT 2017

ISSUE REF

B

**Description:**

Compact and lightweight electric actuators fitted to 2 way Flanged stainless steel ball valves suitable for standard process applications.

The HQ series electric actuators are available in a wide range of voltages and control options to suit your requirements.

High quality electrical components and alloy gearing ensure reliability and extended life span.

The ball valves are of 2 piece design and fitted with RPTFE seat. They are Full Bore and have PN16 Flanged ends.

**Standard Actuator Specification:**

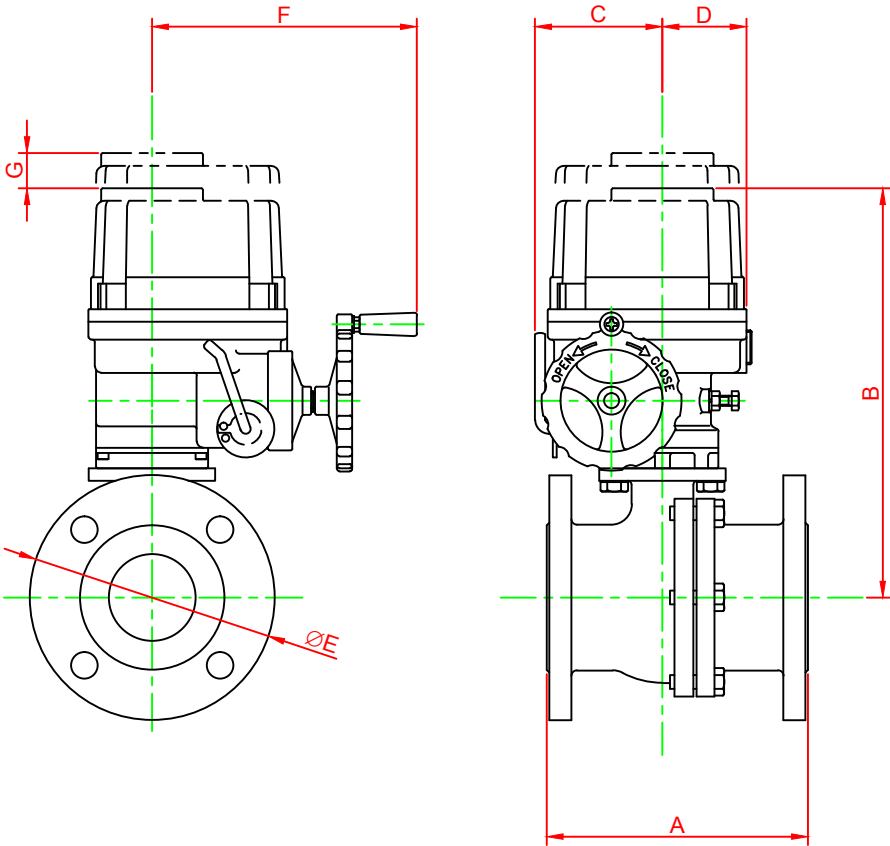
- Enclosure : Weatherproof IP67
- Power Supply : 110/220v 1PH, 380/440V AC 3PH  
50/60Hz, 24vAC/DC
- Limit Switches : 4 x SPDT, 250V AC 10A
- Space Heater : 10W (110/220V AC)
- Manual Override : Declutchable
- Conduit Entries : 2 x M25
- Ambient Temperature : -20°C to +70°C
- External Coating : Dry Powder, Polyester

**Standard Valve Specification:**

- Body : 316 Stainless Steel
- Seat : RPTFE
- Stem Seal : PTFE
- Pressure Rating : Maximum 16 bar
- Temperature : -25°C to +200°C
- Ends : Flanged Connection-DIN 2501/BS4504

**Options:**

- Pneumatic Actuators
- Carbon Steel Valve Material
- Explosion Proof Enclosure ATEX II 2G Eexd II B T4
- Modulating Control
- Screw Ended Valves
- Larger valves
- Manual operation



DATA SHEET No.  
5.12

ISSUE DATE  
SET 2017

ISSUE REF  
E

Dimensions										Operating Time	Weight
VALVE	ACTUATOR	A	B	C	D	E	F	G		Seconds - 50/60Hz	Kg
2 1/2"(65MM)	HQ-008	170	335	100	70	185	208	120		16/13	21
3" (80MM)	HQ-015	180	381	142	87	200	265	160		25/21	36
4" (100MM)	HQ-015	190	394	142	87	220	265	160		25/21	43