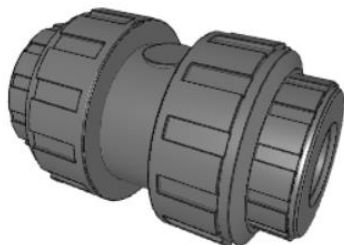
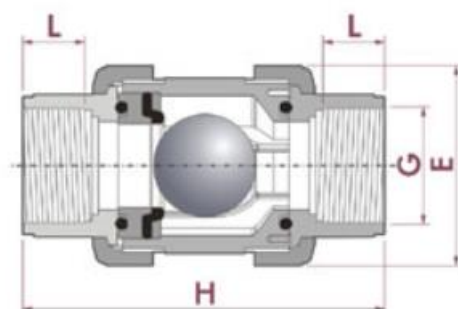


Ball Check Valves in PVC 2023



EUP-B67FT1	Ball Check Valve
Materials	uPVC Grey
Seals	EPDM
Seat	EPDM
Construction	Double Union
Pressure	Max 10Bar
Ends	BSP or Plain
Cracking Pressure	Low
Use Angle	Up or Horizontal



PRODUCT SELECTION							
<u>G</u>	<u>CODE</u>	<u>REF.</u>	<u>DN</u> <u>(mm)</u>	<u>PN (bar)</u>	<u>L (mm)</u>	<u>H (mm)</u>	<u>E (mm)</u>
½"	61	67 420	15	16	14	84	52
¾"	62	67 425	20	16	19	108	62
1"	85	67 432	25	16	22	119	70
1¼"	86	67 440	32	16	26	142	84
1½"	99	67 450	40	16	31	167	104
2"	700	67 463	50	16	38	192	117
2½"	87	67 475	65	10	44	232	148
3"	88	67 490	80	10	51	269	179
4"	89	67 510	80	10	61	279	179

Everyvalve Ltd Tel 01707-642018 Email:- sales@everyvalve.com

Website Metal & Plastics Desktop Friendly - www.everyvalve.com

Or latest Desktop & Mobile Friendly - www.everyvalve4u.com