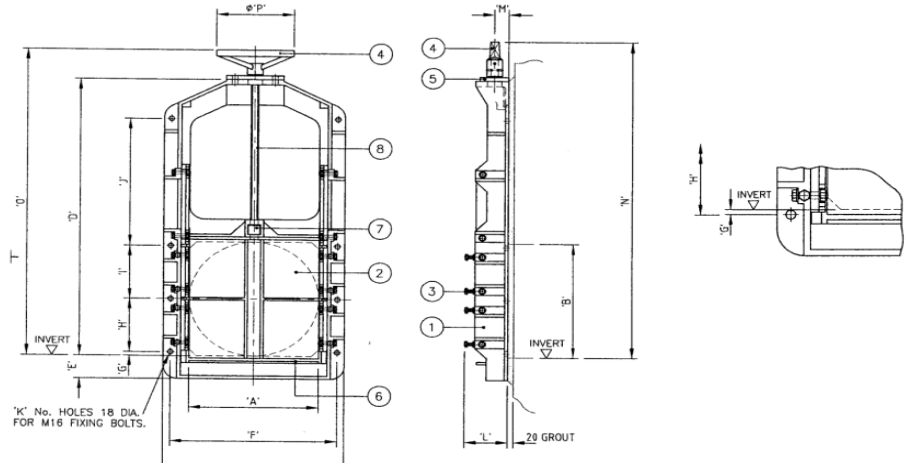
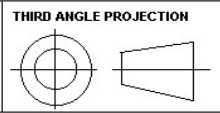


PENSTOCK IN CAST IRON

UNLESS OTHERWISE STATED GENERAL ENQUIRES ARE:
LINEAR +/- 1mm UP TO 1000mm
 +/- 2mm UP TO 3000mm
ANGULAR +/- 1 DEG

SURFACE FINISH:-
 ROUGH MACHINE SURFACES 6.4um
 FINISH MACHINE SURFACE 3.2um



SIZE	'A'	'B'	'C'	'D'	'E'	'F'	'G'	'H'	'I'	'J'	'K'	'L'	'M'	'N'	'O'	'P'
150	150	150	320	445	65	275	30	210	-	-	4	130	50	600	560	270
200	200	200	370	545	80	330	10	210	-	-	4	130	50	700	660	270
225	225	225	425	637	93	380	12	200	-	300	6	130	50	792	753	270
250	250	250	425	650	80	380	25	200	-	300	6	130	50	805	765	270
300	300	300	470	780	80	430	45	210	-	300	6	130	50	935	895	270
350	350	350	580	975	115	530	35	210	210	450	8	150	50	1130	1080	270
375	375	375	580	985	105	530	25	210	210	450	8	150	50	1140	1090	270
400	400	400	580	1000	90	530	10	210	210	450	8	150	50	1155	1105	270
450	450	450	630	1090	90	580	15	210	210	500	8	150	50	1245	1205	270
500	500	500	700	1230	100	640	130	235	235	400	8	180	70	1450	1410	350
600	600	600	800	1400	100	740	65	235	235	600	8	180	70	1620	1580	350

Technical

Cast iron Penstocks suitable for 5m on and 3m off seating heads. Comprising C.I. Frame and door(Door on 100mm being gunmetal). Frame & Door having flat back suitable for mounting on vertical concrete wall.

Operation by means of a SS steel non rising srewed stem, working through a gunmetal nut at top of door.(100mm working integral nut in door) and terminating in cast iron cap direct on frame.

Clockwise Closing.

Coating is Black Bitumen.

Extras:- Handweels / Extension Spindles / SS Assemblies / Actuation / Bolts / Top Brackets.

Email:- sales@everyvalve.com

ITEM	PART	SPECIFICATION
1	FRAME	BS 1452, 220
2	DOOR	BS 1452, 220
3	WEDGES	BS 1452, 220
4	CAP/HANDWHEEL	BS 1452, 220
5	THRUST PLATE/HOUSING	BS 1452, 220
6	SEATS	BS 2874, CZ121
7	STEM NUT	BS 1400, LG2
8	STEM	BS 970, 304S21
9		
10		

Ref	Size	Cap Top Price £	Ref	Extra for Hand Wheel Price £	
24MPCT40	100 mm	£604.50	24MPHW40	£105.00	
24MPCT60	150 mm	£663.00	24MPHW60		
24MPCT80	200 mm	£897.00	24MPHW80		
24MPCT70	225 mm	£1,072.50	24MPHW801		
24MPCT81	250 mm	£1,072.50	24MPHW81		
24MPCT82	300 mm	£1,189.50	24MPHW82		
24MPCT83	350 mm	TBA	24MPHW83		
24MPCT834	375 mm	TBA	24MPHW823		
24MPCT84	400 mm	TBA	24MPHW84		
24MPCT85	450 mm	TBA	24MPHW85		
24MPCT86	500 mm	TBA	24MPHW86		
24MPCT87	600 mm	TBA	24MPHW87		
SPECIAL	700 mm	TBA	SPECIAL		TBA

PLEASE NOTE : Prices subject to change without prior notice.