

DRENOX

DRENA-LINE CLEAN WATER

- Completely in AISI 304
- Double mechanical seal
- Low level pumping (3mm vers. 80/7)
- Moisture sealed cable inlet
- Powerful drainage pump
- Sturdy and resistant



DESCRIPTION

The DRENOX series pumps are made completely with stainless steel AISI 304. The motor is cooled by means of a heat exchange chamber that allows the machine to operate for long periods not completely submerged. Elbow fitting hose Ø 32 mm supplied.

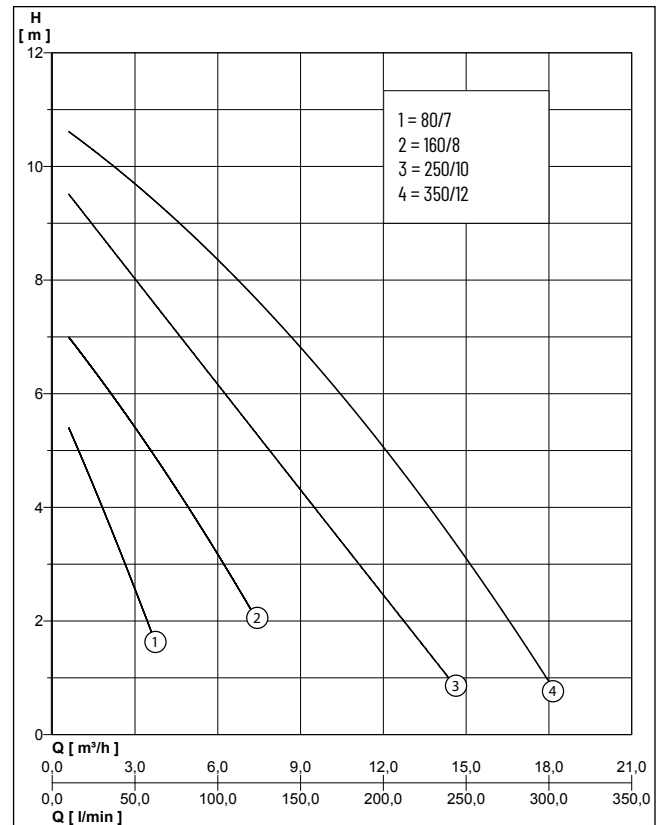
Minimum drying level 3 mm for model 80/7, 35 mm for the other models (in manual version).

Automatic version (aut) equipped with float switch.

APPLICATIONS

- Drainage of infiltrated water, lifting of rainwater from grilles or wells, emptying of rooms, tanks and light industrial applications.
- Fountains and water games.
- Irrigation

PERFORMANCE



| Type | Delivery head H [m] | 2 | 3 | 4 | 5 | 6 | 7 | 8 | 9 | 10 |
|--------------------------|---------------------|------|------|------|------|------|-----|-----|-----|-----|
| DRENOX 80/7+80/7-AUT | Flow rate Q [m³/h] | 3.4 | 2.6 | 1.8 | 1.0 | 0.1 | | | | |
| DRENOX 160/8 | | | 6.2 | 4.9 | 3.6 | 2.1 | 0.6 | | | |
| DRENOX 250/10+250/10-AUT | | 12.6 | 11.0 | 9.4 | 7.8 | 6.2 | 4.6 | 3.0 | 1.2 | |
| DRENOX 350/12+350/12-AUT | | 16.5 | 15.0 | 13.6 | 12.0 | 10.4 | 8.6 | 6.5 | 4.5 | 2.3 |

DRENOX

DRENA-LINE - CLEAN WATER

MECHANICAL DATA

| | | | |
|---------------|--|--------------------------------|---|
| Bearing | Self-lubricating ball bearings. | Submersible | Yes |
| Oil chamber | Yes | Mechanical seal | Double fixed seal in rubber NBR70 with special sand guard V-ring. Lubricated in oil chamber |
| Shaft | Stainless steel with ceramic inserts at the points of wear of the seal | Type of liquid | clear water partially dirty, non-aggressive liquids |
| Impeller | Stainless steel X5CrNi18-10 (AISI 304) | Temperature of the liquid max. | 40 °C |
| Motor housing | Stainless steel X 8 CrNi 18-10 (AISI 304) | Diving depth | 7 m |
| Pump housing | Stainless steel X5 CrNi 1810 (AISI 304) | | |

ELECTRICAL DATA

| | | | |
|-------------------|-------------|------------------|----------|
| Power line | 10m H07RN-F | Insulation class | F |
| Type of enclosure | IP 68 | Rotation speed | 2850 rpm |

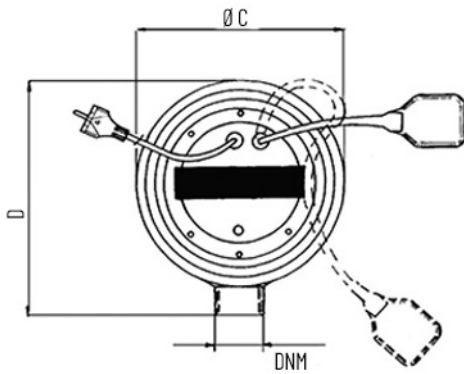
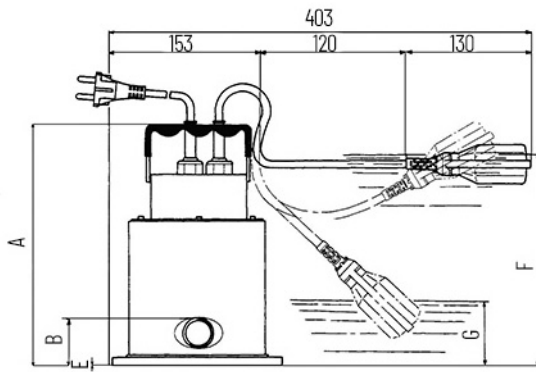
DRENOX

| Type | Code No. | Voltage | Motor rating | | Current | Free passage | Weight |
|-------------------|-----------------|--------------|--------------|---------|---------|--------------|--------|
| | | | P1 | P2 | | | |
| DRENOX 80/7 | N1031090 | 1/N/PE~230 V | 0.30 kW | 0.20 kW | 1.3 A | 3 mm | 5.7 kg |
| DRENOX 80/7-AUT | N1031100 | 1/N/PE~230 V | 0.30 kW | 0.20 kW | 1.3 A | 3 mm | 5.7 kg |
| DRENOX 160/8 | N1031020 | 1/N/PE~230 V | 0.55 kW | 0.40 kW | 2.4 A | 6 mm | 6.5 kg |
| DRENOX 160/8 -AUT | N1031060 | 1/N/PE~230 V | 0.55 kW | 0.40 kW | 2.4 A | 6 mm | 6.5 kg |
| DRENOX 250/10 | N1031030 | 1/N/PE~230 V | 0.90 kW | 0.55 kW | 4.5 A | 6 mm | 7.0 kg |
| DRENOX 250/10-AUT | N1031070 | 1/N/PE~230 V | 0.90 kW | 0.55 kW | 4.5 A | 6 mm | 7.0 kg |
| DRENOX 350/12 | N1031040 | 1/N/PE~230 V | 1.20 kW | 0.80 kW | 5.1 A | 6 mm | 8.5 kg |
| DRENOX 350/12-AUT | N1031080 | 1/N/PE~230 V | 1.20 kW | 0.80 kW | 5.1 A | 6 mm | 8.5 kg |
| DRENOX 350/12 T | N1031110 | 3/N/PE~400 V | 1.20 kW | 0.80 kW | 2.0 A | 6 mm | 8.5 kg |

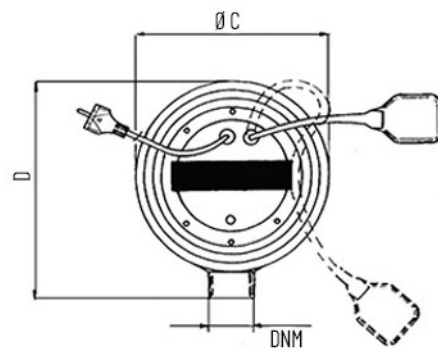
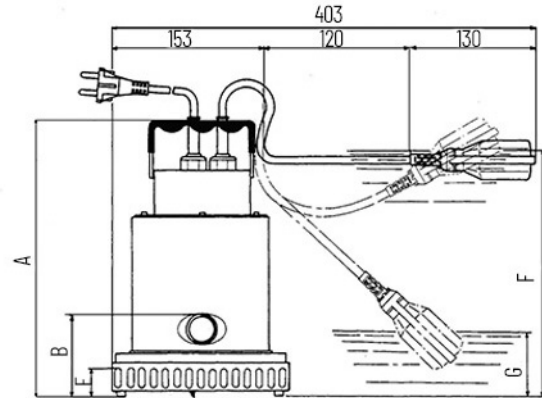
DRENOX

DRENA-LINE - CLEAN WATER

DRENOX 80/7 AUT



DRENOX 160/8 - 250/10 - 350/12 AUT



DIMENSIONS [mm]

| Type | A | B | C | D | E | F | G | DNM |
|-------------------|-----|----|-----|-----|----|-----|-----|--------|
| DRENOX 80/7 | 231 | 61 | 177 | 182 | 3 | | | 1 1/4" |
| DRENOX 80/7-AUT | 231 | 61 | 177 | 182 | 3 | 250 | 100 | 1 1/4" |
| DRENOX 160/8 | 300 | 94 | 177 | 182 | 35 | | | 1 1/4" |
| DRENOX 160/8 -AUT | 300 | 94 | 177 | 182 | 35 | 320 | 107 | 1 1/4" |
| DRENOX 250/10 | 338 | 94 | 177 | 182 | 35 | | | 1 1/4" |
| DRENOX 250/10-AUT | 338 | 94 | 177 | 182 | 35 | 351 | 111 | 1 1/4" |
| DRENOX 350/12 | 338 | 94 | 177 | 182 | 35 | | | 1 1/4" |
| DRENOX 350/12-AUT | 338 | 94 | 177 | 182 | 35 | 351 | 111 | 1 1/4" |

DRENOX

DRENA-LINE - CLEAN WATER