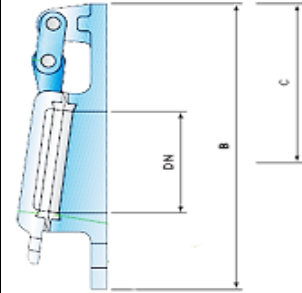
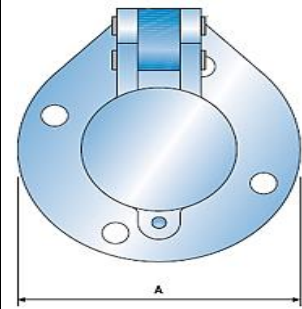


TIDAL FLAP VALVE IN CAST / S.G. IRON / Rubber Expansion Joints - Water Works

Used for outfall flow from walls or pipe flange ends into rivers or the sea. SS Anti Tamper proof hinge pins and bronze bushes. Epoxy finish of unit provide a corrosion resistant performance. CI & S.G Iron Body. Bronze face trim and lifting hooks are standard.

Ref	Bore	A	B	C	P . C . D	Weight	Price
		mm	mm	mm	Holes X mm	Kgs	
23MTF30	80mm	200	225	125	4 x 160	5	£83.30
23MTF40	100mm	220	245	135	4 x 180	7	£119.00
23MTF60	150mm	285	315	172	4 x 240	11	£172.55
23MTF80	200mm	340	370	204	4 x 295	17	£246.00
23MTF81	250mm	400	440	233	4 x 355	25	£357.00
23MTF82	300mm	460	475	280	4 x 410	34	£481.95
23MTF83	350mm	540	591	321	4 x 470	37	£680.76
23MTF834	375mm	540	591	321	4 x 495	37	£0.00
23MTF84	400mm	580	621	331	4 x 525	44	£762.50
23MTF85	450mm	640	695	375	4 x 585	53	£992.00
23MTF86	500mm	715	758	400	4 x 650	62	£1,258.60
23MTF87	600mm	840	867	447	4 x 770	78	£1,537.60



[Plastic PEHD Version Tidal Flap Valve On Page 12](#)

Rubber Expansion Joints - JP01

Applications:-

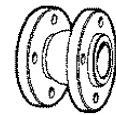
Mountable on pipe work to absorb - Expansions, Contractions, Oscillations & Vibrations. Diminution of : Hammering, Noise & Electrical Conductivity.

Typical uses are :-

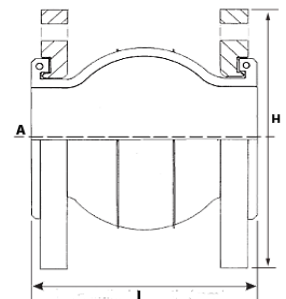
For Water Services within the specification as shown below.

General Specifications:-

Temperature Range	-15°C to +75°C (Other Temps on Call)
Vacuum	740mm Hg
Pressure	16 Bars at ambient
Connections	PN10 (to 150mm) & PN16 (150mm+)
Casing Sleeve	Neoprene + reinforced canvas nylon
Flanges	Dip Galvanised Steel



Ref	Size	Flgd	L	H	C	E	T	A	Weight KG	Price
23MJP0312	32mm	PN10	95	140	8	4	8	15	3	-
23MJP0315	40mm	PN10	95	150	8	4	8	15	4	£55.00
23MJP0320	50mm	PN10	105	165	8	5	8	15	4	£65.00
23MJP0325	65mm	PN10	115	185	12	6	10	15	6	£75.00
23MJP0330	80mm	PN10	130	200	12	6	10	15	7	£85.00
23MJP0340	100mm	PN10	135	220	18	10	12	15	7	£105.00
23MJP0350	125mm	PN10	170	250	18	10	12	15	11	£135.00
23MJP0360	150mm	PN10	180	285	18	10	12	15	14	£180.00
23MJP0380	200mm	PN16	205	340	25	14	22	15	21	£276.00
23MJP0381	250mm	PN16	240	405	25	14	22	15	25	£480.00
23MJP0382	300mm	PN16	260	460	25	14	22	15	38	£585.00
23MJP0383	350mm	PN16	265	520	25	16	22	15	50	£984.00
23MJP0384	400mm	PN16	265	580	25	16	22	15	60	P.O.A
23MJP0385	450mm	PN16	265	640	25	16	22	15	70	P.O.A
23MJP0386	500mm	PN16	265	715	25	16	22	15	89	P.O.A
23MJP0387	600mm	PN16	254	840	25	16	22	15	95	P.O.A



L=Length : H=Flange OD : C=Compression (Max) : E=Extension (max) : T=Side Shift (Max) : A=Angular Shift (Deg)

Wt=Weight in Kg : Dimensions in mm : Sizes are bore sizes : Other option are:- Tie Bar Accessories : BSP ended also available Steel and Stainless types for steam.

Important :- Be sure there is a contained assy. in a pipeline for correct working performance. If in doubt please consult qualified advice for your consideration.

PLEASE NOTE : Prices subject to change without prior notice.

updated: 01/03/2022

Everyvalve Ltd | 19 STATION CLOSE | POTTERS BAR | HERTS | ENG 1TL | TEL: 0044(0)1707642018 | FAX: 0044(0)1707646340 | http://www.everyvalve.com | sales@everyvalve.com

MANUFACTURER AND SUPPLIERS TO COMMERCIAL INDUSTRIES.