



Page 18	2013	Telephone : 01707-642018	Data sheet
 www.everyvalve.com	<b>FL3 And FL5 Ductile Iron Butterfly Valve</b>		 Sales@everyvalve.com

## Multi-Flanged Wafer Pattern Butterfly Valve - EPDM Liner

FL3 - Ci/DI/EPDM

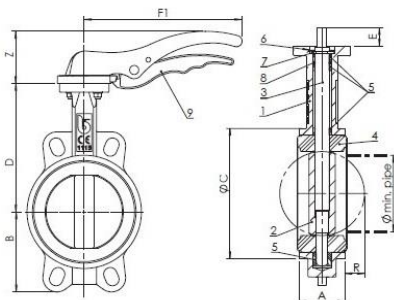
FL5 - Ci/SS/EPDM

Epoxy Coated Ductile Iron Body, Stainless Steel 316 Disc, EPDM Liner, Locking Lever upto 12", Gearbox Operation Available for All Sizes, ISO 5211 Top Works for Direct Mount of Electric/Pneumatic Actuator, complies with 97/23/CE (PED) Directive CE 1115.

Pressure/Temperature			Automatic Control
Pressure	1½" to 12"	PN16	for All Sizes
	14" to 24"	PN10	
Temperature	-10°C to 120°C		Any of the valves can be mounted for automatic control with a standard configuration with:-
<b>Material List</b>			
Body	Epoxy Coated Ductile Iron		<b>Electric Actuators IP67</b> 240v,110v,24V ac or dc and 12v dc
Disc	Stainless Steel		
Liner	EPDM		or <b>Pneumatic Actuators DA,NC or NO.</b>
Shaft	Stainless Steel		
Bushing	PTFE		or <b>Potentiometric Control</b>
Washer	Galvanized Carbon Steel		
Circlip ISO 3075	Steel		
O-Ring	Viton		
Lever	Aluminium upto 6" Ductile Iron 8" and above		
Bolts	Galvanized Carbon Steel		

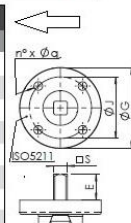


1½" to 10" Lever Operated

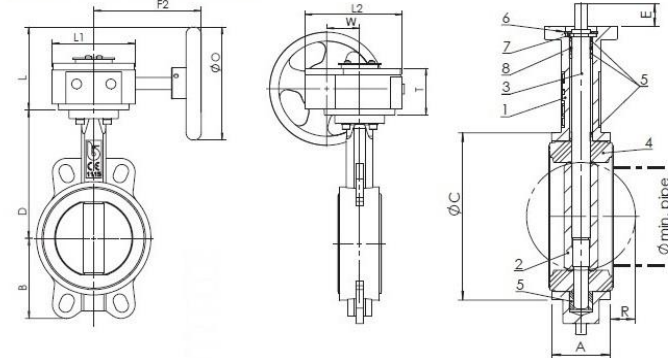


Dimensions								
Size	A	ØC	D	B	F1	Z	R	Kgs Ø min pipe
1½"	33	82	116	63	170	50	5	2.3 27
2"	43	89	126	62	170	50	5	2.6 31
2½"	46	102	136	69	170	50	9	3.5 45
3"	46	118	150	90	206	69	17	4.0 65
4"	52	150	170	106	206	69	26	4.8 90
5"	56	174	180	119	285	90	34	7.3 110
6"	56	205	200	131	285	90	50	8.2 146
8"	60	260	230	166	400	72	71	15.0 194
10"	68	318	266	202	530	72	91	24.0 241

Dimensions							
Size	ISO	ØG	ØJ	n° x Øq	CS	E	ØS
1½"	F05	65	50	4 x 7	9	21	
2"	F05	65	50	4 x 7	9	21	
2½"	F05	65	50	4 x 7	9	21	
3"	F05	65	50	4 x 7	11	21	
4"	F05	65	50	4 x 7	11	21	
5"	F07	90	70	4 x 9	14	27	
6"	F07	90	70	4 x 9	14	27	
8"	F10	125	102	4 x 11	17	27	
10"	F12	150	125	4 x 13	27	27	

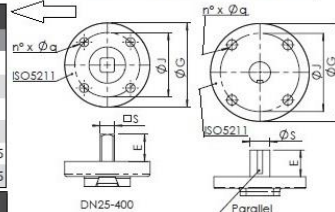


12" to 24" Gearbox Operated



Dimensions													
Size	A	ØC	D	B	F2	L	T	L1	L2	W	Ø0	R	Kgs min pipe
12"	78	376	292	235	226	190	80	170	195	81	300	112	32.0 291
14"	78	406	335	257	226	190	80	170	195	81	300	128	48.0 324
16"	102	471	360	292	226	190	80	170	195	81	300	144	74.0 379
18"	114	539	422	318	216	183	80	151	188	80	285	163	107.0 428
20"	127	594	480	355	256	311	125	214	275	168	285	182	158.0 475
24"	154	695	562	444	285	386	136	262	324	293	385	219	231.0 573

Dimensions							
Size	ISO	ØG	ØJ	n° x Øq	CS	E	ØS
12"	F12	150	125	4 x 13	27	27	
14"	F12	150	125	4 x 13	27	27	
16"	F12	150	125	4 x 13	27	27	
18"	F14	175	140	4 x 18		51.2	38
20"	F14	175	140	4 x 18		64.2	41.15
24"	F16	210	165	4 x 22		70.2	50.65



Tapped & Lugged Butterfly valves (All Sizes) available to order.

