



Page 18	2018	Telephone : 01707-642018	Data sheet
 <a href="http://www.everyvalve.com">www.everyvalve.com</a>	<b>FL4 Ductile Iron Butterfly Valve – Tapped &amp; Lugged</b>		 <a href="mailto:Sales@everyvalve.com">Sales@everyvalve.com</a>

## Lugged & Tapped Butterfly Valve - EPDM Liner



Epoxy Coated Ductile Iron Body, Stainless Steel 316 Disc, EPDM Liner, Locking Lever upto 12", Gearbox Operation Available for All Sizes, ISO 5211 Top Works for Direct Mount of Electric/Pneumatic Actuator, complies with 97/23/CE (PED) Directive CE 1115.

1½" to 12" to fit PN16, Other drillings available  
14" to 24" to fit PN16 Flanges

Pressure/Temperature		
Pressure	1½" to 12"	PN16
	14" to 24"	PN10
Temperature	-10°C to 120°C	

Material List	
Body	Epoxy Coated Ductile Iron
Disc	Stainless Steel
Liner	EPDM
Shaft	Stainless Steel
Bushing	PTFE
Washer	Galvanized Carbon Steel
Circlip ISO 3075	Steel
O-Ring	Viton
Lever	Aluminium upto 6" Ductile Iron 8" and above
Bolts	Galvanized Carbon Steel



Operating Torque Figures																	
DP (Bar)	25	32	40	50	65	80	100	125	150	200	250	300	350	400	450	500	600
3	2.9	4.7	7.8	11.3	17	23	33	48	68	120	189	290	298	481	930	1250	2270
6	3.1	5.1	8.4	12	18	25	36	54	78	134	212	316	347	551	980	1350	2500
10	3.3	5.4	8.8	13	20	26	40	61	88	148	234	342	396	396	1200	1500	2700
16	3.4	5.7	9.2	13	21	28	44	68	99	162	257	367	-	-	-	-	-



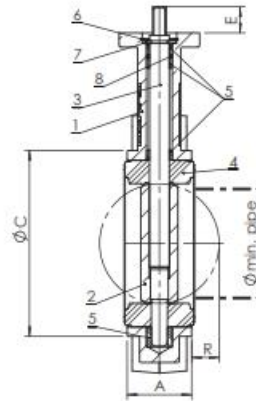
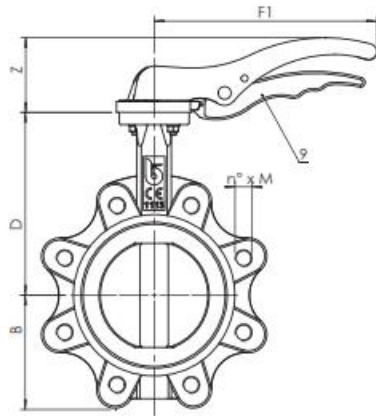


Page 18	2018	Telephone : 01707-642018	Data sheet
 www.everyvalve.com	<b>FL4 Ductile Iron Butterfly Valve – Tapped &amp; Lugged</b>		 Sales@everyvalve.com

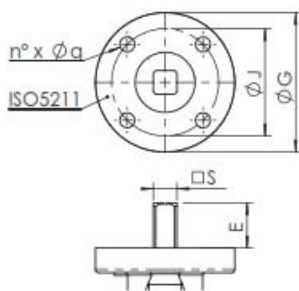
## Lugged & Tapped Butterfly Valve - EPDM Liner



1½" to 10" Lever Operated



Dimensions									
Size	A	ØC	D	B	F1	Z	R	Ø min pipe	n° x M
1½"	33	82	116	63	170	50	5	27	4 x M16
2"	43	89	126	62	170	50	5	31	4 x M16
2½"	46	102	136	69	170	50	9	45	4 x M16
3"	46	118	150	90	206	69	17	65	8 x M16
4"	52	150	170	106	206	69	26	90	8 x M16
5"	56	174	180	119	285	90	34	110	8 x M16
6"	56	205	200	131	285	90	50	146	8 x M20
8"	60	260	230	166	400	72	71	194	12 x M20
10"	68	318	266	202	530	72	91	241	12 x M24



Dimensions						
Size	ISO	ØG	ØJ	n° x Øq	S	E
1½"	F05	65	50	4 x 7	9	21
2"	F05	65	50	4 x 7	9	21
2½"	F05	65	50	4 x 7	9	21
3"	F05	65	50	4 x 7	11	21
4"	F05	65	50	4 x 7	11	21
5"	F07	90	70	4 x 9	14	27
6"	F07	90	70	4 x 9	14	27
8"	F10	125	102	4 x 11	17	27
10"	F12	150	125	4 x 13	27	27



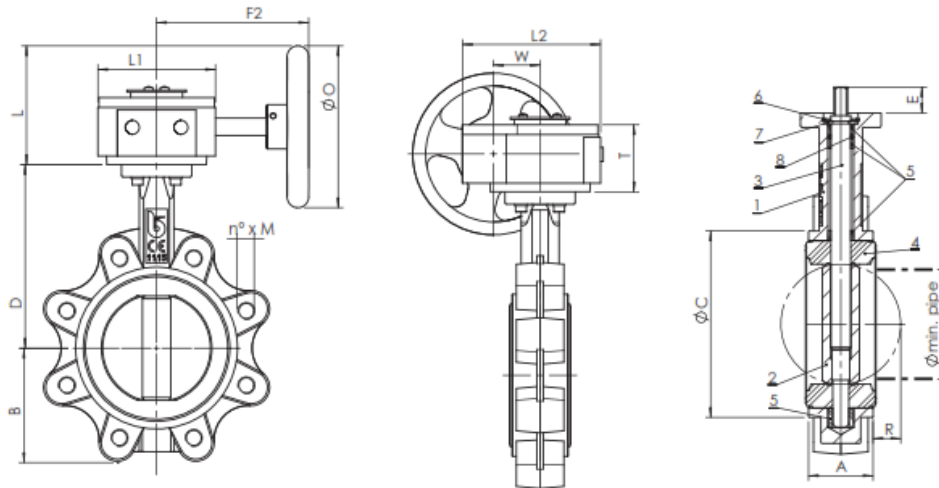


Page 18	2018	Telephone : 01707-642018	Data sheet
 www.everyvalve.com	<h2>FL4 Ductile Iron Butterfly Valve – Tapped &amp; Lugged</h2>		 Sales@everyvalve.com

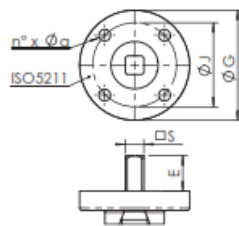
### Lugged & Tapped Butterfly Valve - EPDM Liner



#### 1½" to 10" Gearbox Operated



Dimensions														
Size	A	ØC	D	B	F2	L	T	L1	L2	W	ØO	R	Ø min pipe	n° x M
1½"	33	82	116	63	130	102.5	65	110	130	45	150	5	27	4 x M16
2"	43	89	126	62	130	102.5	65	110	130	45	150	5	31	4 x M16
2½"	46	102	136	69	130	102.5	65	110	130	45	150	9	45	4 x M16
3"	46	118	150	90	130	102.5	65	110	130	45	150	17	65	8 x M16
4"	52	150	170	106	130	102.5	65	110	130	45	150	26	90	8 x M16
5"	56	174	180	119	130	102.5	65	110	130	45	150	34	110	8 x M16
6"	56	205	200	131	130	102.5	65	110	130	45	150	50	146	8 x M20
8"	60	260	230	166	235	190	78	155	176	63	300	71	194	12 x M20
10"	68	318	266	202	226	190	80	170	195	81	300	91	241	24 x M20



Dimensions						
Size	ISO	ØG	ØJ	n° x Øq	DS	E
1½"	F05	65	50	4 x 7	9	21
2"	F05	65	50	4 x 7	9	21
2½"	F05	65	50	4 x 7	9	21
3"	F05	65	50	4 x 7	11	21
4"	F05	65	50	4 x 7	11	21
5"	F07	90	70	4 x 9	14	27
6"	F07	90	70	4 x 9	14	27
8"	F10	125	102	4 x 11	17	27
10"	F12	150	125	4 x 13	27	27



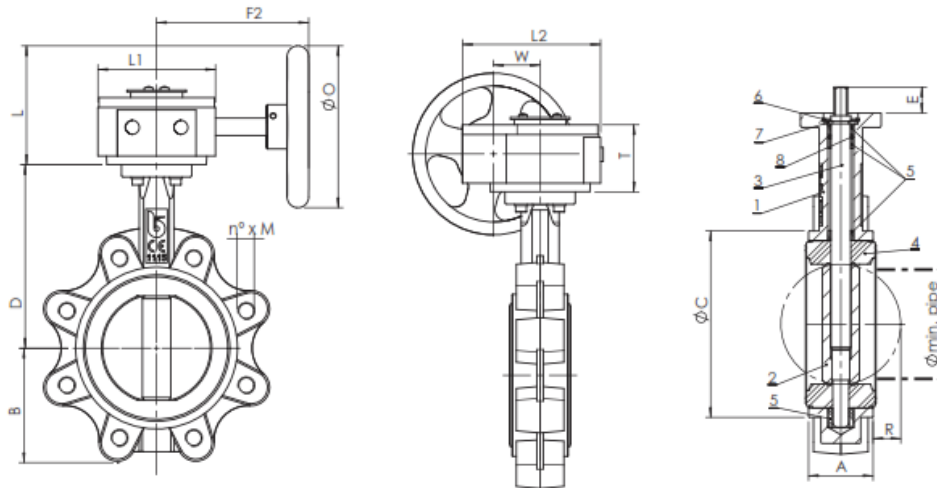


Page 18	2018	Telephone : 01707-642018	Data sheet
 www.everyvalve.com	<b>FL4 Ductile Iron Butterfly Valve – Tapped &amp; Lugged</b>		 Sales@everyvalve.com

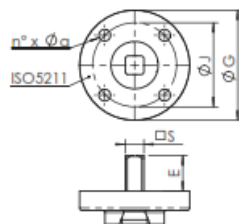
## Lugged & Tapped Butterfly Valve - EPDM Liner



### 1½" to 10" Gearbox Operated



Dimensions														
Size	A	ØC	D	B	F2	L	T	L1	L2	W	ØO	R	Ø min pipe	n° x M
1½"	33	82	116	63	130	102.5	65	110	130	45	150	5	27	4 x M16
2"	43	89	126	62	130	102.5	65	110	130	45	150	5	31	4 x M16
2½"	46	102	136	69	130	102.5	65	110	130	45	150	9	45	4 x M16
3"	46	118	150	90	130	102.5	65	110	130	45	150	17	65	8 x M16
4"	52	150	170	106	130	102.5	65	110	130	45	150	26	90	8 x M16
5"	56	174	180	119	130	102.5	65	110	130	45	150	34	110	8 x M16
6"	56	205	200	131	130	102.5	65	110	130	45	150	50	146	8 x M20
8"	60	260	230	166	235	190	78	155	176	63	300	71	194	12 x M20
10"	68	318	266	202	226	190	80	170	195	81	300	91	241	24 x M20



Dimensions						
Size	ISO	ØG	ØJ	n° x Øq	DS	E
1½"	F05	65	50	4 x 7	9	21
2"	F05	65	50	4 x 7	9	21
2½"	F05	65	50	4 x 7	9	21
3"	F05	65	50	4 x 7	11	21
4"	F05	65	50	4 x 7	11	21
5"	F07	90	70	4 x 9	14	27
6"	F07	90	70	4 x 9	14	27
8"	F10	125	102	4 x 11	17	27
10"	F12	150	125	4 x 13	27	27

