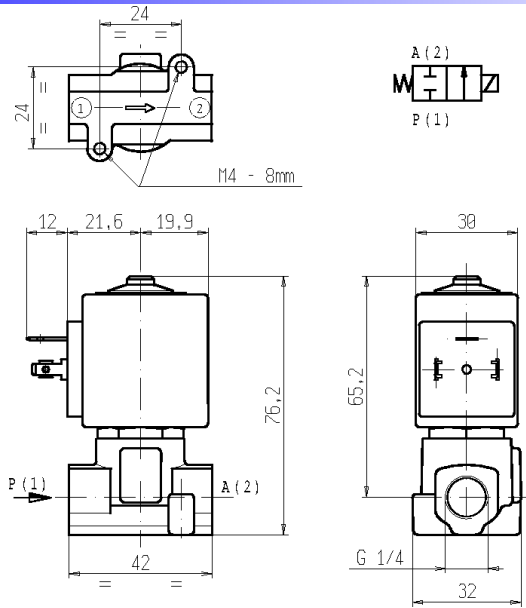




SOLENOID VALVE
2/2 - NC (Normally closed)
Direct acting
G 1/4

L121



► GENERAL FEATURES

Direct acting solenoid valve.
 Suitable to shut off liquid and gaseous fluids (verify the compatibility of fluid with materials in contact).

► TECHNICAL FEATURES

Maximum allowable pressure (PS) 40 bar
Opening time ~20ms
Closing time ~20ms

Fluid temperature -10°C +90°C (NBR)
 0°C +130°C (FPM)
 -10°C +140°C (EPDM)

Max viscosity 5°E (~37 cStokes or mm²/s)

► MATERIALS IN CONTACT WITH FLUID

Body Brass
Sealing NBR or FPM or EPDM
Internal components Stainless steel
Seat Brass
Core tube Stainless steel
Shading coil Copper

► COIL

According to standards VDE
Continuous duty ED 100%
Encapsulation material PET (polybutylene-terephthalate) fiberglass reinforced
Insulation class F (155 °C) on request class H (180°C) - UL
Ambient temperature -10 C° +50 °C
Electric connenctions DIN 46340- 3 poles connectors (DIN 43650)
Protection degree IP 65 (EN 60529) with plug connector
Voltages DC 12-24V (+10% -5%)
 AC ZA30A: 24V/50Hz - 110V/50Hz (120V/60Hz) -
 230V/50Hz (+10% -15%)
 (Other voltages and frequencies on request).

| Port size ISO 228 | Orifice size (mm) | Differential pressure (bar) | | | | Kv (m ³ /h) | Series and type | | Power absorption | | | Sealings | Notes | Weight (kg) | |
|----------------------|-------------------------|-----------------------------|--------|-----|-------|---------------------------|-----------------|---------|------------------|-----------|----|----------|-------|----------------|-------|
| | | Δp min | Δp max | | Valve | | Coil | AC (VA) | | DC (W) | | | | | |
| | | | AC | DC | | | | Inrush | Holding | | | | | | |
| G 1/4 | 1,6 | 0 | 30 | 30 | 30 | 30 | 0,09 | L121V02 | ZA30A | 23 | 14 | 9 | FPM | 1 | 0,300 |
| | | | | | | | | L121B02 | | | | | NBR | 1 - 2 | |
| | L121V02 | | 1 | FPM | | | | | | | | | | | |
| | L121D02 | | | | | | | | | | | | | | |
| | L121B02 | | | | | | | | | | | | | | |
| | L121V02 | | | | | | | | | | | | | | |
| | 2,3 | 0 | 20 | 16 | 20 | 16 | 0,15 | L121V02 | ZA30E | - | - | 12 | FPM | - | |
| | | | | | | | | L121B02 | | | | | | | |
| | L121V02 | | | | | | | | | | | | | | |
| | L121D02 | | | | | | | | | | | | | | |
| | L121B02 | | | | | | | | | | | | | | |
| | L121V02 | | | | | | | | | | | | | | |
| 3,2 | 0 | 12 | 4 | 12 | 4 | 0,30 | L121V02 | ZA30A | 23 | 14 | 9 | NBR | - | | |
| | | | | | | | L121B02 | | | | | | | | |
| L121V02 | | | | | | | | | | | | | | | |
| L121D02 | | | | | | | | | | | | | | | |
| L121B02 | | | | | | | | | | | | | | | |
| L121V02 | | | | | | | | | | | | | | | |
| 4,5 | 0 | 6 | 2 | 6 | 2 | 0,40 | L121V02 | ZA30E | - | - | 12 | FPM | 2 | | |
| | | | | | | | L121B02 | | | | | | | | |
| L121V02 | | | | | | | | | | | | | | | |
| L121D02 | | | | | | | | | | | | | | | |
| L121B02 | | | | | | | | | | | | | | | |
| L121V02 | | | | | | | | | | | | | | | |
| 4,5 | 0 | - | 3 | - | 3 | 0,40 | L121V02 | ZA30E | - | - | 12 | NBR | - | | |
| | | | | | | | L121B02 | | | | | | | | |
| L121V02 | | | | | | | | | | | | | | | |
| L121D02 | | | | | | | | | | | | | | | |
| L121B02 | | | | | | | | | | | | | | | |
| L121V02 | | | | | | | | | | | | | | | |
| 4,5 | 0 | - | 3 | - | 3 | 0,40 | L121V02 | ZA30E | - | - | 12 | FPM | 2 | | |
| | | | | | | | L121B02 | | | | | | | | |
| L121V02 | | | | | | | | | | | | | | | |
| L121D02 | | | | | | | | | | | | | | | |
| L121B02 | | | | | | | | | | | | | | | |
| L121V02 | | | | | | | | | | | | | | | |

► NOTES

- Sealings : NBR = Nitrile-butylene elastomer FPM = Fluoro-carbon elastomer EPDM = Ethylene-propylene elastomer
 1 - On request special coil ZA32A, class "F", with UL or VDE approved windings - see overleaf.
 2 - Model available on request only: ask for minimum quantity.

L121

► SPECIAL COIL ZA32A

Continuous duty ED 100%

Encapsulation material PET (polyethylene terephthalate) fiberglass reinforced

Coil insulation class F (155 °C)

Ambient temperature -10 °C +50 °C

Ambient temperature DIN 46340- 3 poles connectors (DIN 43650)

Electric connenctions IP 65 (EN 60529) with plug connector

Voltagess AC 24V/50-60Hz (VDE) • 100V/50-60Hz • 115-120V/60Hz (UL) • 200V/50-60Hz • 220-230V/50Hz - 208-240V/60Hz (UL) • 220-240V/50Hz (VDE) • (+10% -15%)

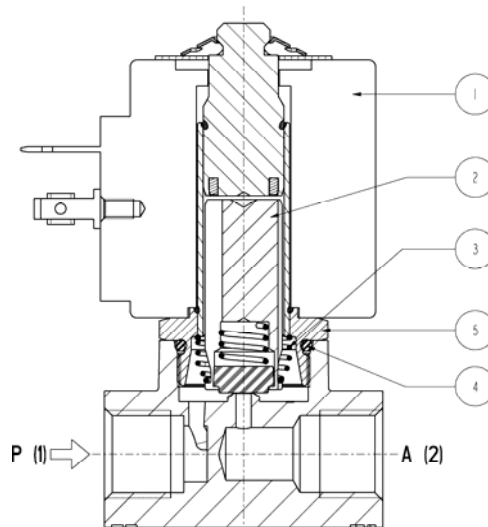
| Port size ISO 228 | Orifice size (mm) | Differential pressure (bar) | | | | Kv (m³/h) | Series and type | | Power absorption | | | Sealings | Notes | Weight (kg) |
|----------------------|-------------------------|-----------------------------|--------|---------|---------|--------------|-----------------|---------|------------------|-----------|----|----------|-------|----------------|
| | | Δp min | Δp max | | | | Valve | Inrush | Holding | DC (W) | | | | |
| | | | Gases | | Liquids | | | | | | | | | |
| | | | AC | DC | AC | | | | | | DC | | | |
| G 1/4 | 1,6 | 0 | 30 | - | 30 | - | 0,09 | L121V02 | 23 | 14 | - | FPM | - | 0,300 |
| | 2,,3 | | 16 | - | 16 | - | 0,15 | L121B02 | | | | NBR | 1 | |
| | | | 3,2 | 9 | 9 | 9 | | 9 | | | | L121V02 | FPM | |
| | L121D02 | | | | | | EPDM | | | | | | | |
| | L121B02 | | | NBR | | | | | | | | | | |
| | | | | L121V02 | FPM | | | | | | | | | |

► NOTES

- Sealings : NBR = Nitrile-butylene elastomer FPM = Fluoro-carbon elastomer EPDM = Ethylene-propylene elastomer

1 - Model available on request only: ask for minimum quantity.

► SPARE PARTS



Kit description

Core kit

L121B02
L121V02
L121D02

Kit P.N.

G3022804
G3022803
G3022801

Consisting of:

Core (with core return spring) pos. 2
OR guide assembly pos. 4

Core return spring kit

G3022401

N.10 core return spring pos. 3

OR guide assembly kit

L121B02
L121V02
L121D02

GU2421000017
GU2424000017
GU2423000017

N.10 OR guide assembly pos. 4

Guide assembly

3008301R

Guide assembly pos. 5

Coil

ZA30A
ZA30E
ZA32A

Coil pos. 1

► MOUNTING

Solenoid valve can be mounted in any position; vertical with coil upwards preferred.