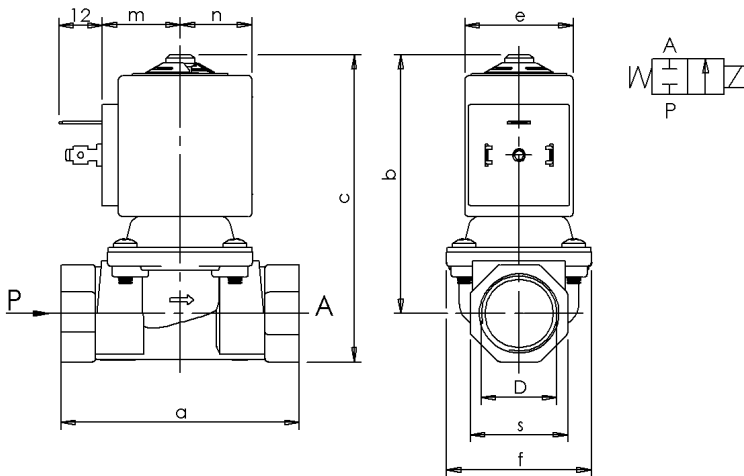




**SOLENOID VALVE**  
**2/2 - NC (Normally closed)**  
**Direct acting**  
**G 1/2 - 3/4**

**L113**



D	a	b	c	e	f	m	n	s
G1/2	66	71,5	85	30	40	21	19,9	27
G3/4	79	82	98,5	42	51	28	21	33

**► GENERAL FEATURES**

Direct acting solenoid valve with full orifice, for low pressure.  
 Suitable to shut off liquid and gaseous fluids (verify the compatibility of fluid with materials in contact).

**► TECHNICAL FEATURES**

*Maximum allowable pressure (PS)* 2 bar  
*Opening time* ~30ms  
*Closing time* ~30ms  
*Fluid temperature* -10°C +90°C (NBR)  
 0°C +130°C (FPM)  
*Max viscosity* 5°E (~37 cStokes or mm<sup>2</sup>/s)

**► MATERIALS IN CONTACT WITH FLUID**

*Body* Brass  
*Sealing* NBR or FPM  
*Internal components* Stainless steel and brass  
*Seat* Brass  
*Core tube* Stainless steel  
*Shading coil* Copper

**► COIL**

*Continuous duty* ED 100%  
*Encapsulation material* PET (polyethylene-terephthalate) fiberglass reinforced  
*Insulation class* Z1: F (140°C) on request class H (165°C) - UL  
 ZA: F (155°C) on request class H (180°C) - UL  
*Ambient temperature* Z1: -10°C +60 °C  
 ZA: -10°C +50 °C  
*Electric connenctions* DIN 46340- 3 poles connectors (DIN 43650)  
*Protection degree* IP 65 (EN 60529) with plug connector  
*Voltages* DC 12-24V (+10% -5%)  
 AC 24V/50Hz - 110V/50Hz (120V/60Hz) - 230V/50Hz (+10% -15%)  
 (Other voltages and frequencies on request).

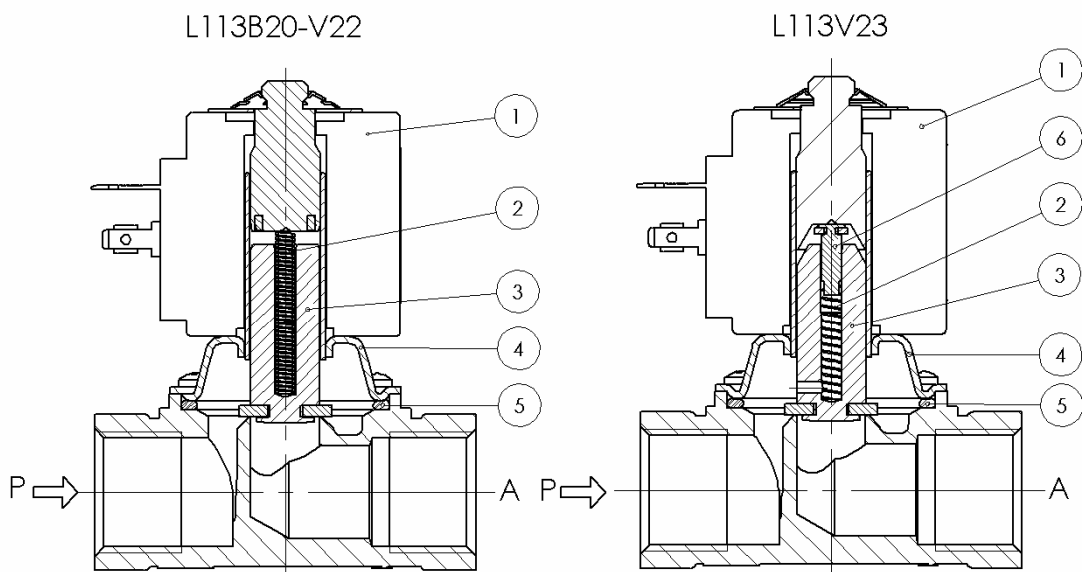
Port size ISO 228	Orifice size (mm)	Differential pressure (bar)				Kv (m <sup>3</sup> /h)	Series and type		Power absorption			Sealings	Function Notes	Weight (kg)	
		Δp min	Δp max				Valve	Coil	AC (VA)		DC (W)				
			Gases		Liquids				Inrush	Holding					
			AC	DC	AC										DC
G 1/2	12	0	0,30	-	0,30	-	L113V22	ZA30A	23	14	-	FPM	-	0,400	
			-	0,20	-	0,20			L113V23	-	-				9
G 3/4	19		0,20	-	0,20	-	L113B20	Z130A	44	24	-	NBR	-	0,710	

**► NOTES**

- Sealings : NBR = Nitrile-butylene elastomer FPM = Fluoro-carbon elastomer  
 1 - Silent model; only for direct current (DC).

# L113

## ► SPARE PARTS



### Kit description

Core kit

L113V22  
L113V23  
L113B20

### Kit P.N.

3127802  
3127902  
G3089101

### Consisting of:

Core pos.3  
Core return spring pos.2  
OR guide assembly pos. 5  
Pushing-pin pos. 6 (L113V23)

Guide pipe assembly

L113V22  
L113V23  
L113B20

3104101R  
3120901R  
3077701R

Guide pipe assembly pos. 4

Coil

L113V22-V23  
L113B20

ZA30A  
Z130A

Coil pos. 1

## ► INSTALLATION

Solenoid valve can be mounted in any position; vertical with coil upwards preferred.