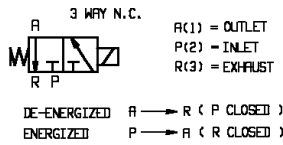
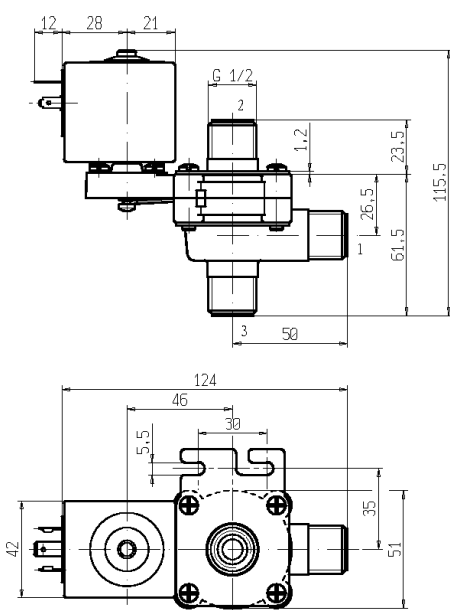




SOLENOID VALVE - DRY
3/2 - NC (Normally closed)
Direct acting - Total isolation
G 1/2

D332



► **GENERAL FEATURES**

Direct acting, total isolation solenoid valve: the operator is totally isolated from the fluid so that the wetted parts are just the body and the lever-seal.

Possibility of manual opening.

Possibility of disassembling for inspection.

Core duly coated by PTFE (polytetrafluoroethylene) based self lubricating material.

Suitable to shut off liquid and gaseous fluids (verify the compatibility of fluid with materials in contact).

► **TECHNICAL FEATURES**

| | |
|---------------------------------|---|
| Maximum allowable pressure (PS) | 2 bar |
| Opening time | ~30ms |
| Closing time | ~30m |
| Fluid temperature | -10°C +90°C |
| Max viscosity | 5°E (~37 cStokes or mm ² /s) |

► **MATERIALS IN CONTACT WITH FLUID**

| | |
|---------|-------------------------------|
| Body | PPS ((Polyphenylene-sulfide). |
| Sealing | FPM |

► **COIL**

| | |
|------------------------|---|
| Continuous duty | ED 100% |
| Encapsulation material | PET (polyethylene terephthalate) fiberglass reinforced |
| Insulation class | F (155 °C) |
| Ambient temperature | -10 C° +60 °C |
| Electric connections | DIN 46340 - 3 poles connector DIN 43650) |
| Protection degree | IP 65 (EN 60529) with connector |
| Voltages AC | 24/50Hz-110/50Hz (120/60Hz)- 230V/50Hz (+10% -15%) (Other voltages and frequencies on request). |

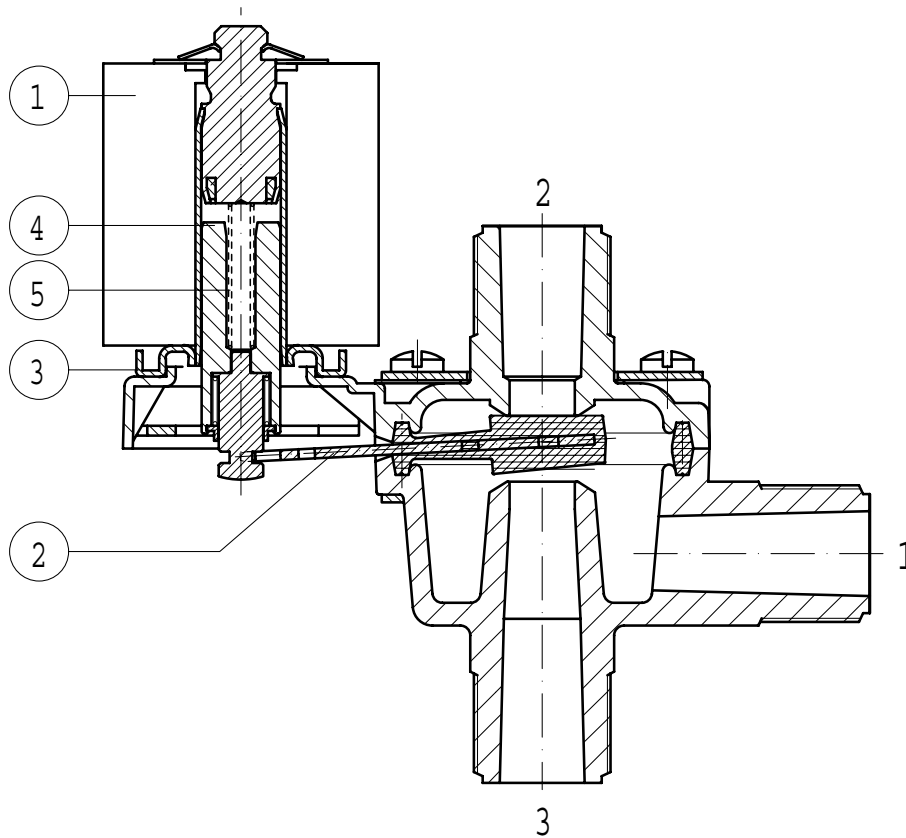
| Port size ISO 228 | Orifice size (mm) | Differential pressure (bar) | | | | | | Kv (m ³ /h) | Series and type | | Power absorption | | | Sealings | Notes | Weight (kg) |
|----------------------|-------------------------|-----------------------------|--------|----|---------|----|-------|---------------------------|-----------------|---------|------------------|-----------|-----|----------|-------|----------------|
| | | Δp min | Δp max | | | | Valve | | Coil | AC (VA) | | DC (W) | | | | |
| | | | Gases | | Liquids | | | | | Inrush | Holding | | | | | |
| | | | AC | DC | AC | DC | | | | | | | | | | |
| G 1/2 | 9 | 0 | 0,4 | - | 0,4 | - | 1,6 | D332V21C | Z130A | 44 | 24 | - | FPM | - | 0,540 | |

► **NOTES**

- Sealings : FPM = Fluoro-carbon elastomer

D332

► SPARE PARTS



Kit description

Core kit

Kit P.N.

G3048202

Consisting of:

Core pos 4
Core return spring pos.5

Lever-seal

3037301R

Lever-seal pos. 2

Core tube

3077401R

Core tube pos. 3

Coil

Z130A

Coil pos. 1

► INSTALLATION

- Solenoid valve can be mounted in any position; vertical with coil upwards preferred.