



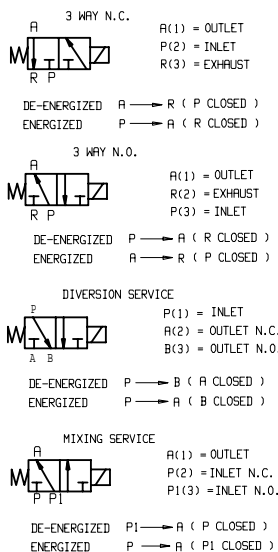
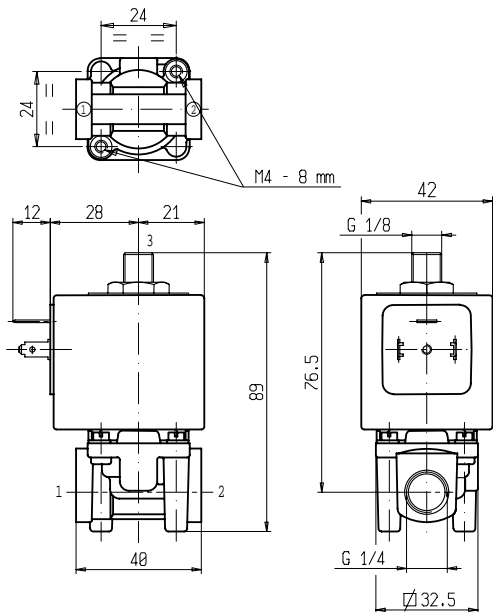
SOLENOID VALVE

3/2 - NC - UF (Universal function)

Direct acting

G 1/4

L339



► GENERAL FEATURES

Direct acting solenoid valve.
 Suitable to shut off liquid and gaseous fluids (verify the compatibility of fluid with materials in contact).
 Not suitable for use with dangerous fluids listed in Group 1, therefore they are free from CE marking in conformity with article 3 § 3 of the European Directive 97/23/EC (Pressure Equipment Directive).

► TECHNICAL FEATURES

Maximum allowable pressure (PS)	20 bar
Opening time	~15ms
Closing time	~15m
Fluid temperature	-10°C +90°C (NBR) 0°C +130°C (FPM)
Max viscosity	5°E (~37 cStokes or mm ² /s)

► MATERIALS IN CONTACT WITH FLUID

Body	Brass
Sealing	NBR or FPM
Internal components	Stainless steel
Seat	Brass
Core tube	Stainless steel
Shading coil	Copper

► COIL

Continuous duty	ED 100%
Coil impregnation	Polyester resin
Encapsulation material	PTB (polybutylene-terephthalate) fiberglass reinforced
Insulation class	F (140°C)
Ambient temperature	-10 C° +60 °C
Electric connenctions	DIN 46340- 3 poles connectors (DIN 43650)
Protection degree	IP 65 (EN 60529) with plug connector
Voltages DC	12-24V (+10% -5%)
AC	24V/50Hz - 110V/50Hz (120V/60Hz) - 230V/50Hz (+10% -15%)
	(Other voltages and frequencies on request).

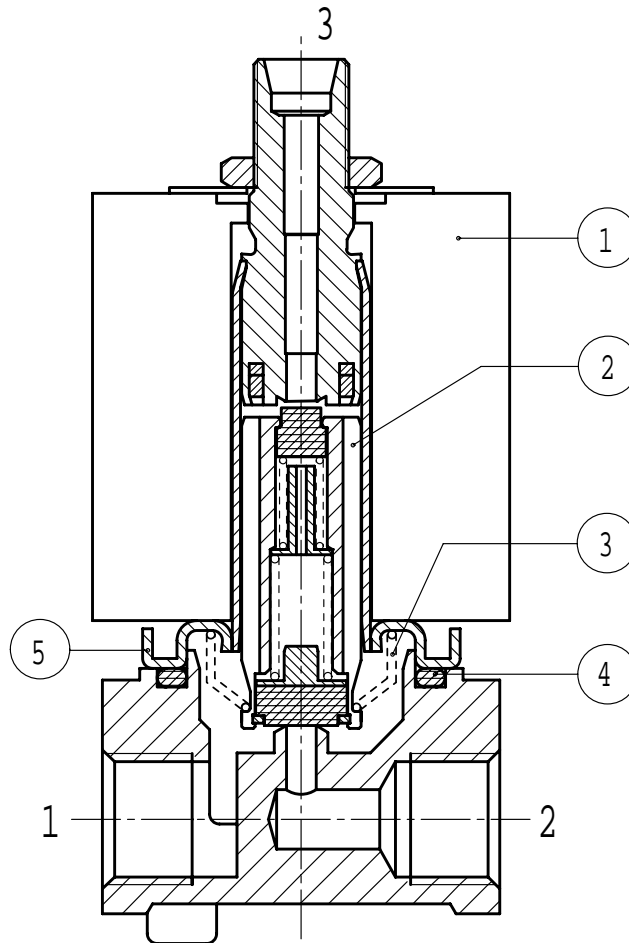
Port size ISO 228	Orifice size (mm)	Differential pressure (bar)						Kv (m ³ /h)	Series and type		Power absorption			Sealings	Function Notes	Weight (kg)
		Δp min	Δp max				Valve		Coil	AC (VA)		DC (W)				
			Gases		Liquids					Inrush	Holding					
			AC	DC	AC	DC										
G 1/4	2,3	0	10	10	10	10	0,17	L339B05C	Z130A	44	24	13	NBR	NC	0,500	
	3		4	4	3,5	3,5	0,26	L339V05G					FPM	US - 1		

► NOTES

- Sealings : NBR = Nitrile-butylene elastomer FPM = Fluoro-carbon elastomer
- NC: Normally closed UF: Universal function
- 1 - The use of the solenoid valve as N.O., without any outlet restriction, reduces the max pressure to the 50% of the rated value.

L339

► SPARE PARTS



Kit description

Kit P.N.

Consisting of:

Core kit	L339B05C L339V05G	G2879201 G2879402	Core pos. 2 OR guide assembly pos. 4
Core return spring kit	L339B05C L339V05G	G2908601 G2876301	N.10 core return spring pos. 3
OR guide assembly kit	L339B05C L339V05G	GU2421000059 GU2424000059	N.10 OR guide assembly pos. 4
Guide assembly	L339... Ø 2,3 L339... Ø 3	3078901 3078902	Guide assembly pos. 5
Coil		Z130A	Coil pos. 1

► INSTALLATION

Solenoid valve can be mounted in any position; vertical with coil upwards preferred.