

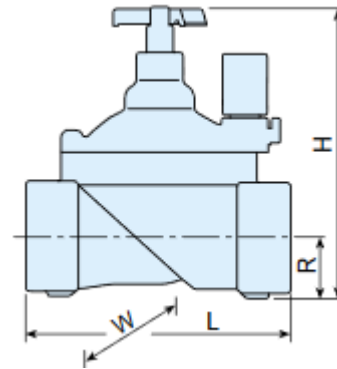


Page 15	2020	Telephone : 01707-642018	Data sheet
 www.everyvalve.com	PK Type Irrigation Globe Pattern Solenoid Valve		 Sales@everyvalve.com

Specifications Valve Pattern

Globe, Angle & Y-pattern (1" only)

- Sizes: 3/4", 1", 1.1/2" & 2"
- End Connections: –female threaded BSP, NPT
- Pressure Rating: ISO: PN 10 ANSI: Class 125
- Operating Pressure Range: 0.7-10 bar (10-150 psi)
- Temperature Range: Water up to 80°C (180°F)
- Electrical Data: – Standard: Voltage: 24V AC (50-60 Hz)
Current: holding 0.20A, inrush 0.40A–
Optional Voltages: 6V DC, 12V DC, 24V DC, 12V AC, 24V AC
- Materials: Body and cover: Nylon Reinforced Metal
- Parts: Stainless Steel Diaphragm: Natural Rubber Seals: Buna-N and NR



Globe Pattern

Size (mm)	3/4"	1"	1 1/2"	2"
L	110	110	160	170
H	115	115	180	190
R	22	22	35	38
W	78	78	125	125
Weight (kg)*	0.35	0.33	1.0	1.1

Features and Benefits



- Spring Loaded Elastomeric
 - Self-operated / Range of closing springs
- Plastic Globe Hydro-Efficient Valve
 - Unobstructed flow path / Single moving part / High flow capacity
 - Highly durable, chemical and cavitation resistant
- Flexible Balances Diaphragm & Seal
 - Fully opening
 - Secures drip-tight closing
- User-Friendly Design
- Simple in-line inspection



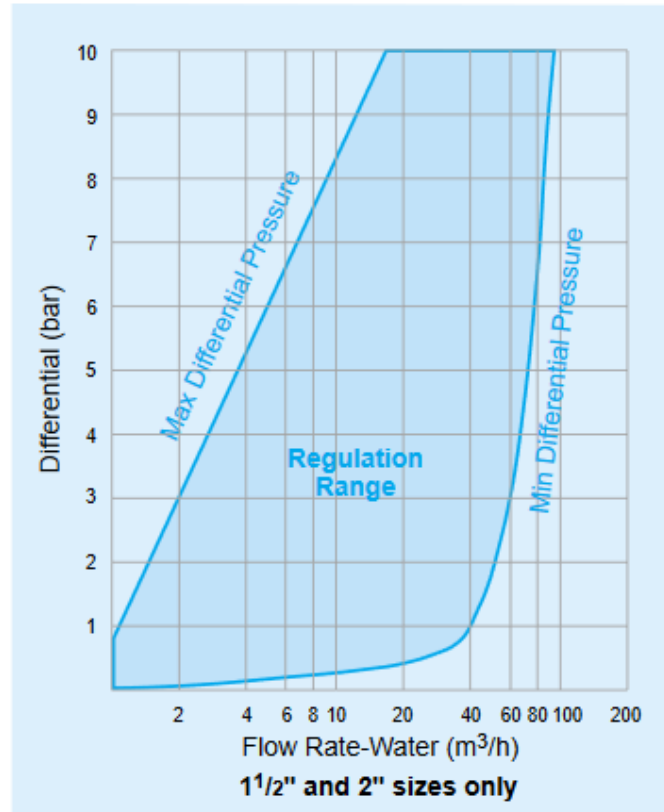
Bermad Irrigation Solenoid Valve



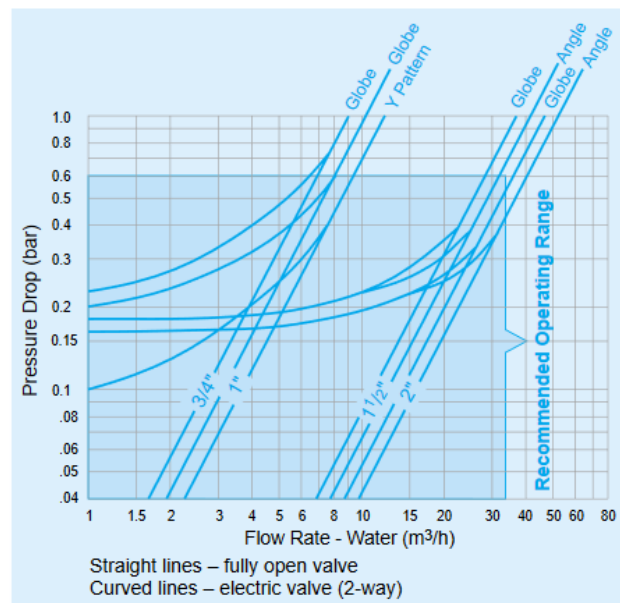


Page 15	2020	Telephone : 01707-642018	Data sheet
 www.everyvalve.com	PK Type Irrigation Globe Pattern Solenoid Valve		 Sales@everyvalve.com

Regulation Range



Flow Chart



Bermad Irrigation Solenoid Valve

