
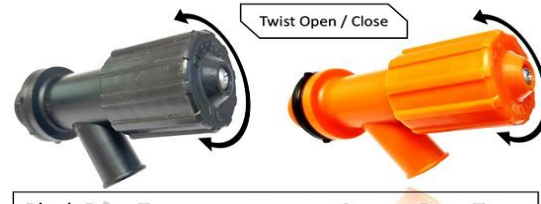









Plastic Drum Taps And Pourers & Hose Taps For OEMs - Drum - Tanks - IBC - Misc. Needs

<b>***Spring Auto Self Close Pour Tap*** New</b>								<b>'EvE' PP Pour Taps</b>							
<p style="text-align: center;">2022 Version Now *Available*</p>  <p style="text-align: center;">Length of Tap - from Flange to End of Push Knob = 80mm</p> <p>1. Flow Rate = 7.3 L/M of Water at 6" Head 2. Tap is in Black Colour - Best for outside use</p>								 <p style="text-align: center;">Black Version      Orange Version</p> <p>EPDM Seals &amp; Thread Gasket. This co-Polypropylene Polypropylene Black Or Orange Version angled pour tap is ideal for OEM equipment in dispensing chemicals or water as necessary. Hose outlet is suitable for hose connection. 1/2" version if 62% of the flow of 3/4" X 20mm type. Pressure is recommended for 4 bars or less &amp; max 90 C.SS Fixing screw.</p>							
<b>All Taps Are Tested on Seat &amp; Seal Before Dispatch</b>								<b>All Taps Are Tested on Seat &amp; Seal Before Dispatch</b>							
<a href="#">Data Sheet</a>								<a href="#">Data Sheet</a>							
<a href="#">Operations Manual</a>								<a href="#">Data Sheet</a>							
<b>Hose Stopcocks</b>								<b>PP Hose Taps (Reduced Bore)</b>							
															
<a href="#">2 Way Hose - Data Sheet</a>		<a href="#">2 Way Hose Valve</a>			<a href="#">2 Way (1/4" BSP x Hose)</a>			<a href="#">2 Way Hose &amp; 2 Way Threaded</a>							
Small plug cocks suitable for water in engineering plastics. Designed for low pressures.(up to 1 Bar) Max Temps: PE to 40°C PP to 60°C.								The light horticultural taps in PP / Acetal resin are for low pressure water applications where threads and hoses need to be joined. 90 deg. thumb grip/Butterfly operation. Thick liquids not to be used. Nitrile seal.							
<b>Jan/2022 -11P2111* - 32MM Hose Stock Cock New Design</b>															
<b>Two Way</b>															
<b>Ref</b>	<b>Hose Size Fit</b>	<b>Bore(mm)</b>	<b>Mat</b>	<b>Colour</b>	<b>Weight</b>	<b>Price</b>	<b>Ref</b>	<b>End Connection</b>	<b>Price</b>						
11P2102	6mm	4x4	PP	Black	9gms	£1.90	11P1107	13mm x 13mm Green Knob	£1.50						
11P2103	10mm	8x8	PP	Black	9gms	£2.05	11P1107b	19mm x 19mm Green Knob	£1.50						
11P2105	13mm	10x10	PP	Black	14gms	£2.35	11P1112	1/2" BSPf x 13mm Hose	£1.65						
11P2107	20mm	15x15	PP	Black	12gms	£3.15	11P1205	1/2" BSPm x 13mm Hose	£1.55						
11P2110	25mm	18x18	PP	Black	20gms	£4.40									
11P2111*	32mm	18x18	PP	Black	28gms	£5.50	11P1206	3/4" BSPm x 13mmHose	£1.65						
<b>PVC Hose Valves With PP Barb Ends</b>															
11P2111A	32mm	26	PVC/PP	Grey/Black	211gms	£8.10	11P1305	1/2" BSPm x 1/2" BSPm	£1.65						
11P2111B	38mm	33	PVC/PP	Grey/Black	434gms	£17.55									
11P2111C	50mm	41	PVC/PP	Grey/Black	841gms	£23.50	11P1306	3/4" BSPm x 3/4" BSPm	£1.75						
11P2110a	1/4 bspm x 10mm		POM	Black	5gms	£3.50									
<b>Three Way</b>								<b>Three Way Stopcock</b>							
<b>Ref</b>	<b>Hose Size Fit</b>	<b>Bore(mm)</b>	<b>Mat</b>	<b>Colour</b>	<b>Weight</b>	<b>Price</b>									
11P2302	6mm	4x4x4	PE	Black	8gms	£4.50									
11P2303	10mm	8x8x8	PE	Black	10gms	£4.70									
11P2305	13mm	10x10x10	PE	Black	16gms	£4.80									
11P2397	20mm	15x15x15	PE	Black	40gms	£5.90									
11P2308	25mm	18x18x18	PE	Black	74gms	£7.35									
<a href="#">See Technical Page 0 for more details.</a>															

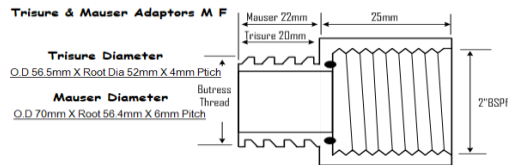
PLEASE NOTE : Prices subject to change without prior notice.

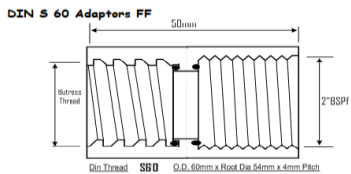
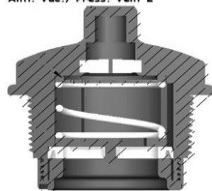
Updated: 01/2/2024

**Plastic Drum Taps And Pourers & Hose Taps For OEMs - Drum - Tanks - IBC - Misc. Needs**

FLO-RITE Drum Faucet 3/4" BSP Male		FLO-King 2" Drum Faucet	
			
Ref: 11P2507	£2.35	Ref: 11P2520	£24.60
Overall Length = 92mm		Overall Length= 156mm Wt= 290g	
This taper threaded tap for drum openings is for non pressure uses. Made of GOLD COLOUR P.E. has no seals. Operates on a 90° turn by thumb grip. Treacles or acids not to be used. There is no flange at foot of 3/4" male thread 10mm long. Wt.=36g		Large tap for 2" drum female threaded outlets where quick emptying is required. Made of Gold coloured Polyethylene with no internal seals. Turns 'ON' or 'OFF' 90° with a hand bar. A small flange and gasket is at the foot of 15mm fixing thread length.	

**PP CARBOUY Adaptors**



Ref : 11P205	Weight : 100 Grams	Trisure-Male x 2" BSP Female	£6.35	Material :PP Glass reinforced Black Seal : Santoprene			
Ref : 11P204	Weight : 50 Grams	Mauser-Male x 2" BSP Female	£6.35	Material :PP Glass reinforced Black Seal : Santoprene			
 <p>DIN S 60 Adaptors FF</p> <p>50mm Butress Thread 2" BSPF Din Thread S60 O.D. 60mm x Root Dia 54mm x 4mm Pitch</p>		 <p>Anti. Vac. / Press. Vent 2"</p> <p>Made Of Black PP &amp; Good For Fitting To Tops Of IBC's Or Other Tanks For Relieving Pressure Or Vacuum</p> <p>Through Put Surface Area For Air 207 square mm</p>		96 Gms			
Ref : 11P206	Weight : 93 Grams	S60 F Thread X 2" BSPF Thread	£9.90	Ref : 11P207	Weight : 110 Grams	2" BSPM Thread Anti. / Pressure Vent	£18.70

[See Technical Page 0 for more details.](#)

**MINI BALL PLASTIC VALVES**

Ref	Price	Size Bore	Simple Tap for water usage in O.E.M application. Note: Female Thread should be screwed hard against a shoulder stop.							Weights Grams
			Body	Pressure	Range	Length	Seal	Control		
			Material	Rating	Temps	Body	Materials	Function		
11PSFM07	£1.60	3/4" BSP X 3/4" BSP	PP	4 Bar	0 / 80C	55 mm	Nitrile	Manual	20 grams	
11PSFP05	£1.60	3/4" BSP X 13MM Barb				66 mm			21 grams	
11PSFP07	£1.60	3/4" BSP X 19MM Barb				66 mm			22 grams	

<b>Notes:</b>