



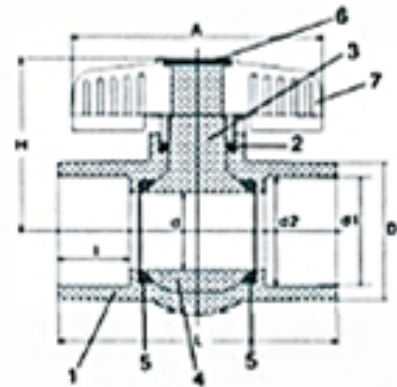
Page 02	2024	Telephone : 01707-642018	Data sheet
 www.everyvalve.com	Compact Single Piece Ball Valves PVC (BSP STD)		 Sales@everyvalve.com



SIZE: 1/2"-4"
 JOINT END: SOCKET(ANSI/DIN/JS/BS)
 THREAD(NPT/BSPT)
 WORK PRESSURE: 1/2"-2" PN16=232PSI
 2 1/2"-4" PN10=150PSI

SPECIFICATION OF MATERIAL

NO	PART	MATERIAL	QTY
1	BODY	UPVC,CPVC	1
2	STEM O-RING	EPDM	1
3	STEM	UPVC,CPVC	1
4	BALL	UPVC,CPVC	1
5	SEAT SEAL	TPE,TPV,TPO	2
6	CAP	PVC,ABS	1
7	HANDLE	PVC,ABS	1
8	SCREW	SS304,STEEL	1



DIMENSION

MODEL		DN	15	20	25	32	40	50	65	80	100
		SIZE	1/2"	3/4"	1"	1-1/4"	1-1/2"	2"	2-1/2"	3"	4"
Threaded 02P3095AA	DN/IN BSPT	I	14	14	18	11	18	11	11	11	11
		d1	20	23	25	27	31	34	45	50	55
Bore Socket Fln 02P3095B	BS Imperial	I	20	23	25	27	31	34	45	50	55
		d1	21	26	30	42	48	60	73	89	114
Bore Socket Fln 02P3095M	DN Metric	I	20	23	25	27	31	34	45	50	55
		d1	20	25	32	40	50	63	75	90	110
		d	13	18	19	30	33	40	55	70	85
		H	45	54	44	73	77	87	99	121	134
		A	88	76	98	100	114	126	170	210	236
		L	72	72	96	111	128	146	178	210	255
		D	30	35.5	43	52	62	75	91	106	130
		Weight Grams	85	101	221	300	378	693			

Unit mm



PLEASE NOTE : Prices subject to change without prior notice

Everyvalve Ltd | 19 STATION CLOSE | POTTERS BAR | HERTS | EN6 1TL | TEL : 0044(0)1707642018 | FAX : 0044(0)1707646340 | <http://www.everyvalve.com> | sales@everyvalve.com

MANUFACTURER AND SUPPLIERS TO COMMERCIAL INDUSTRIES.