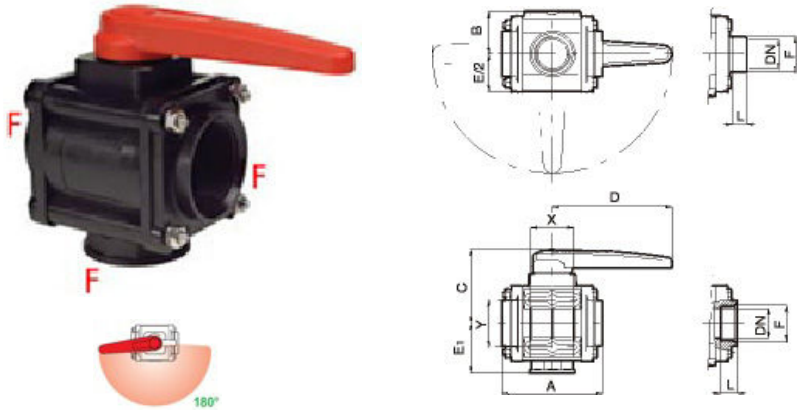


Bolted valves series 453 - Side connection - 3 ways PP



PP BALL	INOX BALL			DN (mm)	F (BSP)	(mm)								
						MANUFACTURING	CODE	BAR	PSI	L	A	B	C	D
45302 4A44	45322 4A44	16	232	25	1" F	23	101	42	65	100	75	52	33	38
45302 4A55	45322 4A55			32	1" 1/4 F	25	105	42	65	100	75	58	33	38
45302 5A66	45322 5A66	10	145	40	1" 1/2 F	25	128	52	94	130	91	63	40	49
45302 6A77	45322 6A77			50	2" F	28	150	61	110	150	109	73	57	60
45302 7A88	45322 7A88	8	116	65	2" 1/2 F	33	168	71	125	200	127	88	72	80
45302 7A99	45322 7A99			65	3" F	36	174	71	125	200	127	94	72	80
45302 5E66	45322 5E66	10	145	40	1" 1/2 M	24	143	52	94	130	91	76	40	49
45302 6E77	45322 6E77			50	2" M	27	174	61	110	150	109	85	57	60
45302 7E88	45322 7E88	8	116	65	2" 1/2 M	32	206	71	125	200	127	95	72	80
45302 7E99	45322 7E99			65	3" M	35	212	71	125	200	127	107	72	80

- Features**
- Seals in PTFE
 - Screws in Inox Stainless Steel
 - Progressive lever movement; no strain
 - Lever w.o. edges for a tight and safe handling
 - Machined inside ball in Polypropylene reinforced Fiber Glass
 - Standard gaskets in EPDM; under request in FPM
 - Made of Polypropylene reinforced Fiber Glass
 - NPT threads on request

